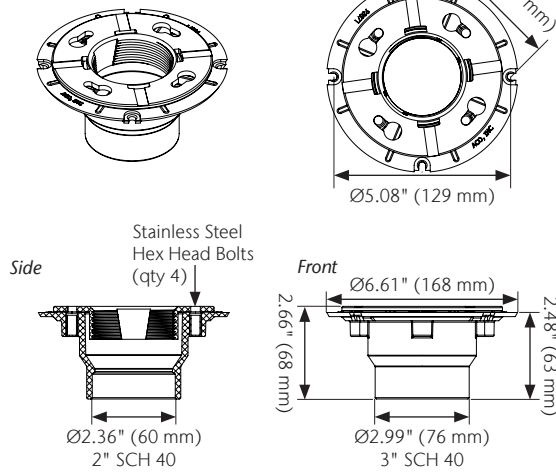
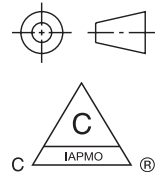
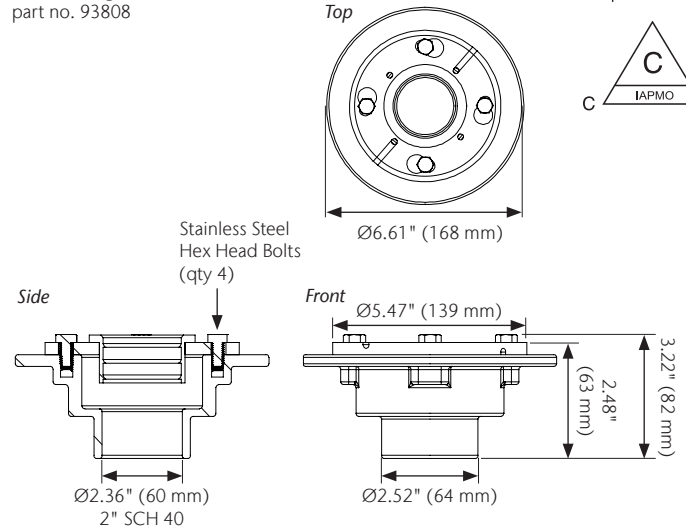


ShowerDrain Premium - Accessories

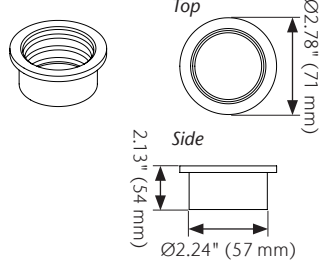
Drain Flange (PVC)
part no. 93871



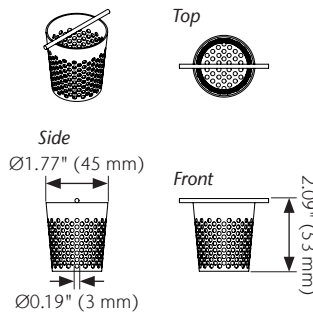
Drain Flange (Cast Iron)
part no. 93808



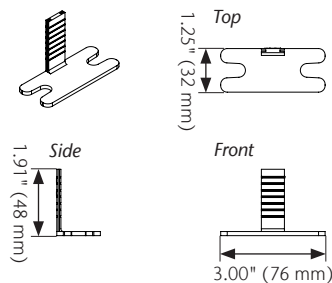
Compression Gasket
part no. 93785



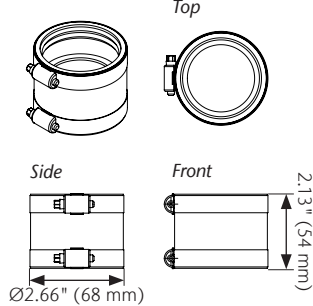
Debris Strainer
part no. 37381/37382



Leveling Feet
part no. 37339



Stainless Steel Clad Coupling
part no. 93874



Specification Clause

To be used with ACO ShowerDrain or ShowerPoint 2.0" (D51 mm) outlet. ACO recommends checking local plumbing codes prior to installation. The system shall be installed in accordance with the manufacturer's instructions and recommendations.

	Part No.	Weight lbs
Drain Flange (Cast Iron)	93808	4.7
Drain Flange (PVC)	93871	1.1
Stainless Steel Clad Coupling	93874	1.4
Leveling Feet	93876	0.1
Compression Gasket	93785	0.5
Debris Strainer (Polished Steel)	37381	0.5
Debris Strainer (Oil-Rubbed Bronze)	37382	0.5
Lifting Key	37339	0.1

ACO, Inc.

West Sales Office
825 W. Beechcraft Street
Casa Grande, AZ 85122
Tel: (520) 421-9988
Toll-Free: (888) 490-9552
Fax: (520) 421-9899

Northeast Sales Office
9470 Pinecone Drive
Mentor, OH 44060
Tel: (440) 639-7230
Toll-Free: (800) 543-4764
Fax: (440) 639-7235

Southeast Sales Office
4211 Pleasant Road
Fort Mill, SC 29708
Tel: (800) 543-4764
Toll-Free: (800) 543-4764
Fax: (803) 802-1063

info@acousa.com
www.acousa.com

© March 2021 ACO, Inc.

All reasonable care has been taken in compiling the information in this document. All recommendations and suggestions on the use of ACO products are made without guarantee since the conditions of use are beyond the control of the company. It is the customer's responsibility to ensure that each product is fit for its intended purpose and that the actual conditions of use are suitable. ACO, Inc. reserves the right to change products and specifications without notice.

ACO. creating the future of drainage



ACO Specification Information