

Champion® PRO Elongated Toilet

211CA.004

- Features **Champion® Flushing System**
- Vitreous china
- Low consumption (1.6 gpf/6.0 Lpf) toilet
- Trade exclusive tank
- PowerWash® rim scrubs bowl with each flush
- Robust metal trip lever & metal shank fill valve
- Includes EZ-Install tools w/color match bowl caps
- EverClean® surface inhibits the growth of stain- and odor-causing bacteria, mold, and mildew on the surface
- 4" piston-action Accelerator™ flush valve
- Fully-glazed 2-3/8" trapway
- 12" (305mm) rough-in
- Generous 9" x 8" water surface area
- Chrome finish trip lever is supplied
- 1,000g MaP Score** at 1.6gpf
- 10 year warranty



211CA.005 Same as above except trip lever on right hand side

3195C.101 Elongated Bowl

4225A.004 Tank

Nominal Dimensions:

768 x 483 x 785mm (30-1/4" x 19" x 30-7/8")

Fixture only, seat and supply sold separately

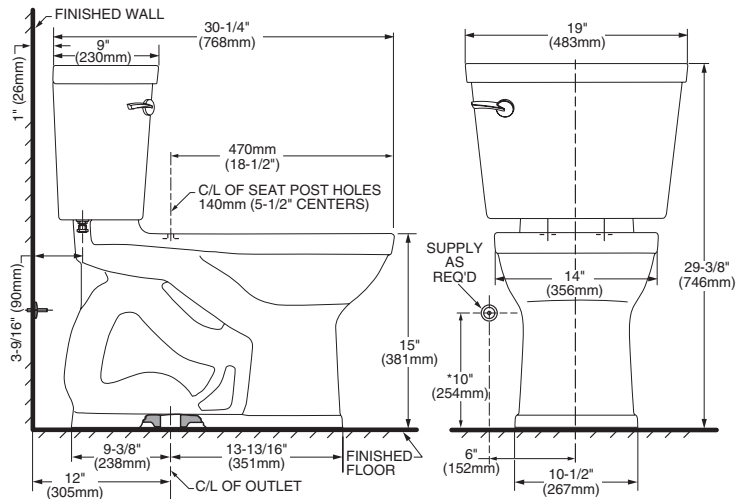
Alternative Tank Configurations Available:

- 4225A.064** Tank complete with tank cover locking device
- 4225A.005** Tank complete with trip lever located on right side

Compliance Certifications -

Meets or Exceeds the Following Specifications:

- ASME A112.19.2-2008/CSA B45.1-08 for Vitreous China Fixtures



NOTES:

THIS TOILET IS DESIGNED TO ROUGH-IN AT A MINIMUM DIMENSION OF 305MM (12") FROM FINISHED WALL TO C/L OF OUTLET. SUPPLY NOT INCLUDED WITH FIXTURE AND MUST BE ORDERED SEPARATELY.

* DIMENSION SHOWN FOR LOCATION OF SUPPLY IS SUGGESTED.

IMPORTANT: Dimensions of fixtures are nominal and may vary within the range of tolerances established by ANSI Standard A112.19.2. These measurements are subject to change or cancellation. No responsibility is assumed for use of superseded or voided pages.

** Maximum Performance (MaP) testing performed by IAPMO R&T Lab. MaP Report conducted by Gauley Associates Ltd. and Koeller and Company.

To Be Specified:

- Color: White
- Seat: #5321A65CT Champion® Slow-Close & Easy Lift-Off Elongated Toilet Seat
- Supply with stop:

