

For Residential and Commercial Applications

Job Name		Engineer / Architect	
Job Location		Wholesaler	
Submittal Date		Contractor	

CS40X / CS40BX Multi-Turn Sweat Angle Stop w/ 5" Extension (Optional Loose Key)

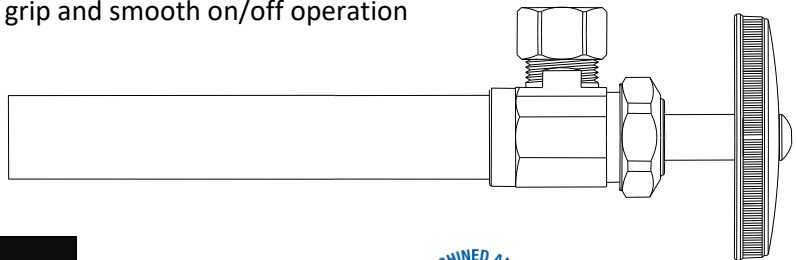
Use: For use in potable water distribution systems in accessible locations only. Not intended for recirculating water systems that produce continuous use temperatures above 115° F. For those applications, use our KT™ series ball stop supply kits.

Design Features:

- **Machined one-piece brass body** provides strength, durability, and long-lasting performance
- **Easy-to-remove handle** with screw attachment helps protect against accidental stop operation during rough-ins
- **Oval knurled handle** provides a secure grip and smooth on/off operation
- **✓**

Operating Specifications:

Temperature: 40°- 140° F
Pressure: 125 PSI maximum



STOP MATERIAL SPECIFICATIONS	
Body	Brass, plated
Stem	Brass, plated
Handle	Zinc die cast, plated
Handle Screw	Steel, zinc plated
Bib & Packing Washer	Rubber
Packing Nut	Brass, plated
Compression Nut & Sleeve	Brass
Sweat Extension	Copper, plated
Escutcheon	Steel, plated
Loose Key	Zinc die cast
Loose Key Adaptor	Brass, plated
Lock Shield	Brass, plated



Part Listing:

- CS40X C 1/2" nom sweat x 3/8" OD compression, chrome
- CS40BX C 1/2" nom sweat x 3/8" OD compression, bell escutcheon, chrome
- CS40BX C1 1/2" nom sweat x 3/8" OD compression, bell escutcheon, chrome, window box
- CS40BX CD 1/2" nom sweat x 3/8" OD compression, bell escutcheon, chrome, carded
- CS40BX BRL 1/2" nom sweat x 3/8" OD compression, bell escutcheon, window box
- CS40BX BZ 1/2" nom sweat x 3/8" OD compression, bell escutcheon, oil-rubbed bronze
- CS40BX NP 1/2" nom sweat x 3/8" OD compression, bell escutcheon, polished nickel
- CS40BX NS 1/2" nom sweat x 3/8" OD compression, bell escutcheon, satin nickel
- SCS40X C 1/2" nom sweat x 3/8" OD compression w/loose key, chrome
- SCS40BX C 1/2" nom sweat x 3/8" OD compression w/loose key, bell escutcheon, chrome

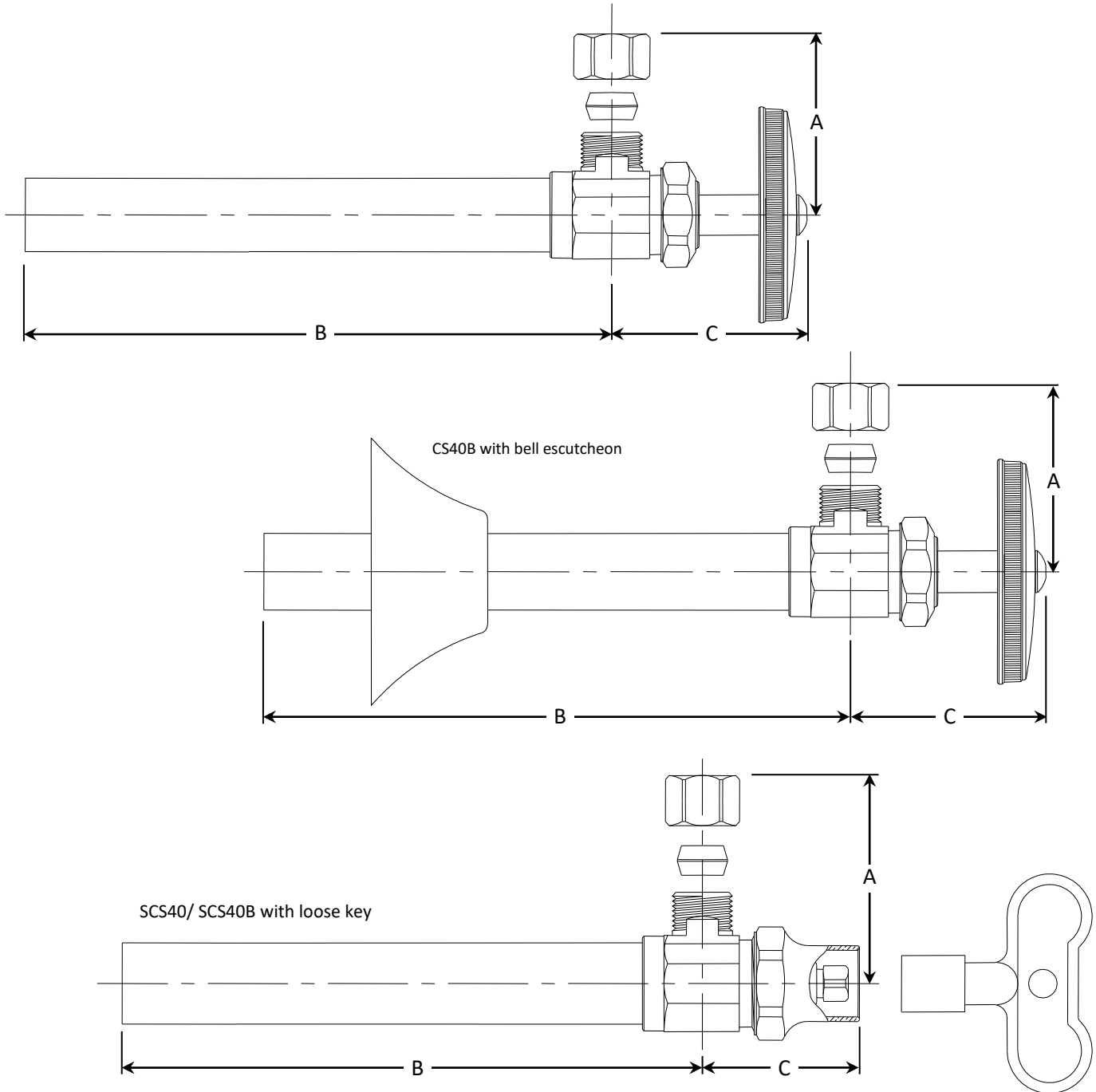
This specification and all information contained herein is the confidential and exclusive property of Brasscraft Manufacturing Company and shall not be disclosed to others without the written consent of Brasscraft Mfg. Co. This specification must be returned to Brasscraft Mfg. Co. if requested.



CS40X / CS40BX Multi-Turn Sweat Angle Stop w/ 5" Extension (Optional Loose Key)

PART DIMENSIONS (Inches)			
Model	DIM A	DIM B	DIM C
CS40X	1.02	5.46	1.70
CS40BX	1.02	5.46	1.70

PART DIMENSIONS (Inches)			
Model	DIM A	DIM B	DIM C
SCS40X	1.02	5.46	1.46
SCS40BX	1.02	5.46	1.46



Listings & Certifications:

- IAPMO listed to ASME A112.18.1/CSA B125.1 (includes NSF/ANSI372 and NSF61)



This specification and all information contained herein is the confidential and exclusive property of Brasscraft Manufacturing Company and shall not be disclosed to others without the written consent of Brasscraft Mfg. Co. This specification must be returned to Brasscraft Mfg. Co. if requested.

BrassCraft®