

30" Double Wall Oven

500 Series – Stainless Steel HBL5551UC



HBL5551UC
Stainless Steel

The Bosch wall oven installs flush and features heavy metal stainless steel knobs.

Features & Benefits

Heavy-duty metal knobs offer a premium European feel.

The wall oven is designed to be installed flush with cabinetry.

Bosch wall ovens are compatible with most competitors' cutouts.

General Properties	
Cooking modes – upper cavity	Bake, Variable Broil (hi & low), Roast, Warm, Sabbath
Cooking modes – lower cavity	Bake, Variable Broil (hi & low), Roast, Warm, Sabbath
Cleaning type – upper & lower cavity	Self Clean
Telescopic rack	0
Illumination type – upper & lower cavity	Halogen
Interior lights – upper cavity	1
Interior lights – lower cavity	1

Oven Performance	
Bake / Broil element wattages – upper & lower cavity	2,400 / 3,800 W
Convection element wattages – upper cavity	N/A



Technical Details	
Watts (W)	7,805 W
Volts (V), Frequency (Hz), Circuit breaker (A)	240 / 208 V, 60 Hz, 40 A
Power cord length (in); Plug type	50"; Fixed connection, no plug
Energy source	Electric

Dimensions & Weight	
Overall appliance dimensions (HxWxD)(in)	52 1/16" x 29 3/4" x 24 1/2"
Required cutout size – Standard (HxWxD) (in)	49 3/4" – 51 1/2" x 28 1/2" x 23 1/2"
Required cutout size – Flush (HxWxD) (in)	52 3/16" x 30" x 24 1/2"
Oven cavity size (cu. ft.)	4.6
Overall oven interior dimensions (HxWxD) (in)	17 13/16" x 24 1/8" x 18"
Usable oven interior dimensions (HxWxD) (in)	12 5/16" x 23 1/4" x 15 1/4"
Net weight (lbs)	261 lbs

Accessories—Included	
Included	Upper Oven: 2 Standard Oven Racks Lower Oven: 2 Standard Oven Racks

Accessories—Optional



HEZTR301
30" Telescopic Rack

Accessories: To purchase Bosch accessories, cleaners & parts please visit www.bosch-home.com/us/store or call 1-800-944-2904 (Mon to Fri 5 am to 6 pm PST, Sat 6 am to 3 pm PST).

Notes: All height, width and depth dimensions are shown in inches. BSH reserves the absolute and unrestricted right to change product materials and specifications, at any time, without notice. Consult the product's installation instructions for final dimensional data and other details prior to making cutout.

Warranties: Please see Use & Care manual or Bosch website for statement of limited warranty.

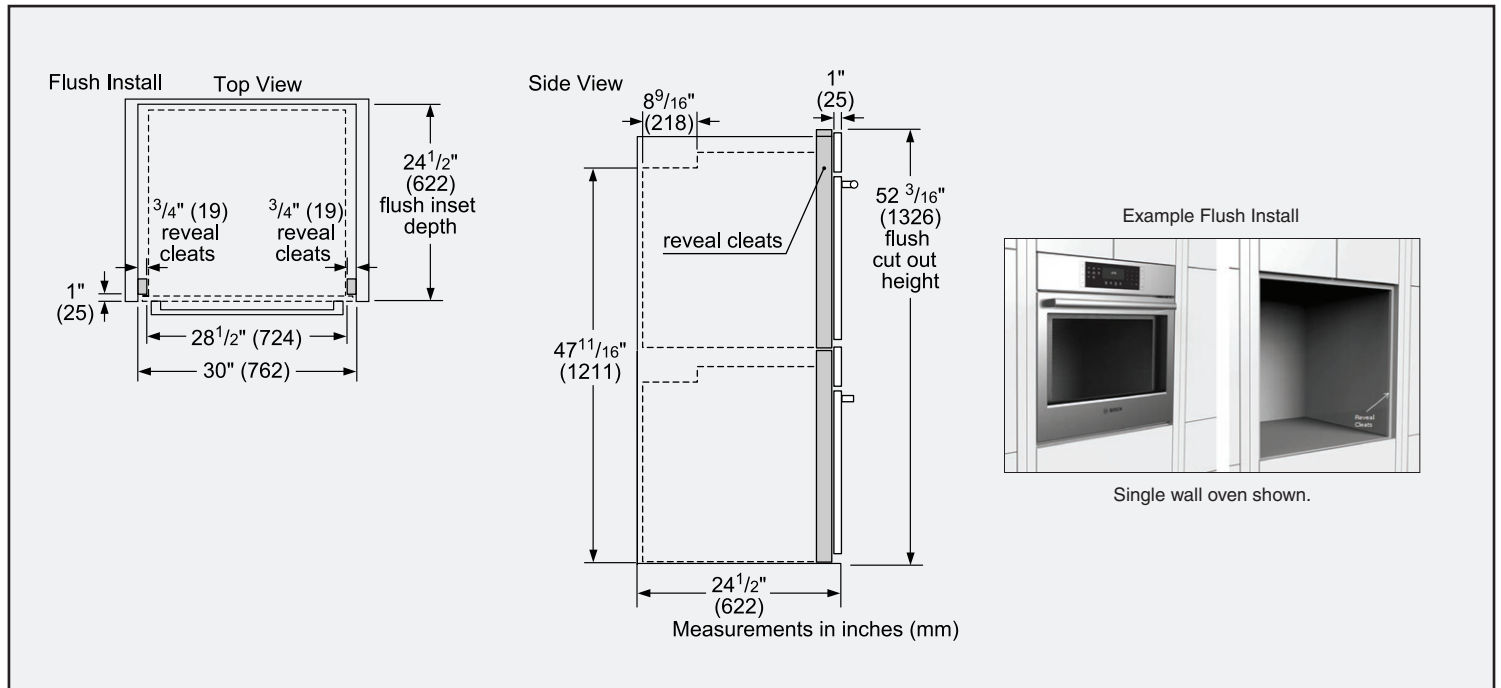
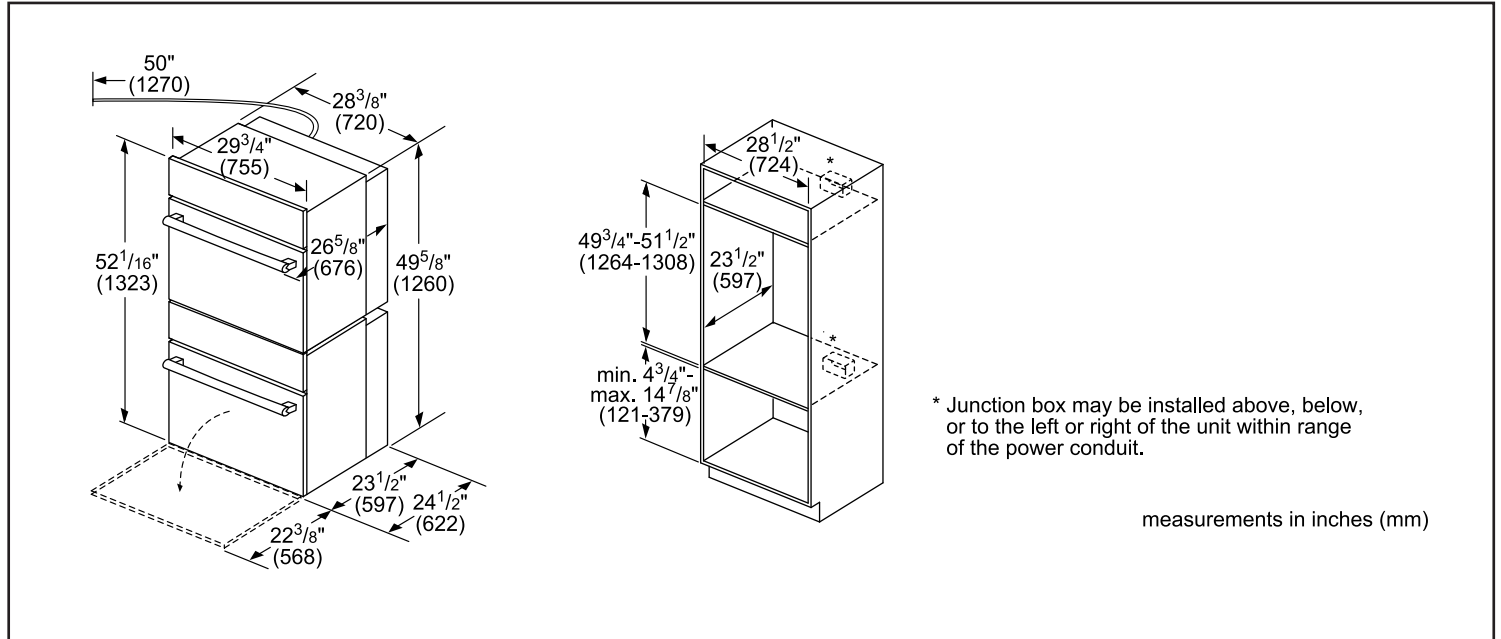
For more information on our entire line of products, go to www.bosch-home.com/us or call 1-800-944-2904

© BSH Home Appliances Corporation. All rights reserved. Bosch is a registered trademark of Robert Bosch GmbH.

30" Double Wall Oven

500 Series – Stainless Steel HBL5551UC

Installation Details



Accessories: To purchase Bosch accessories, cleaners & parts please visit www.bosch-home.com/us/store or call 1-800-944-2904 (Mon to Fri 5 am to 6 pm PST, Sat 6 am to 3 pm PST).

Notes: All height, width and depth dimensions are shown in inches. BSH reserves the absolute and unrestricted right to change product materials and specifications, at any time, without notice. Consult the product's installation instructions for final dimensional data and other details prior to making cutout.

Warranties: Please see Use & Care manual or Bosch website for statement of limited warranty.

For more information on our entire line of products, go to www.bosch-home.com/us or call 1-800-944-2904

© BSH Home Appliances Corporation. All rights reserved. Bosch is a registered trademark of Robert Bosch GmbH.

30" Double Wall Oven

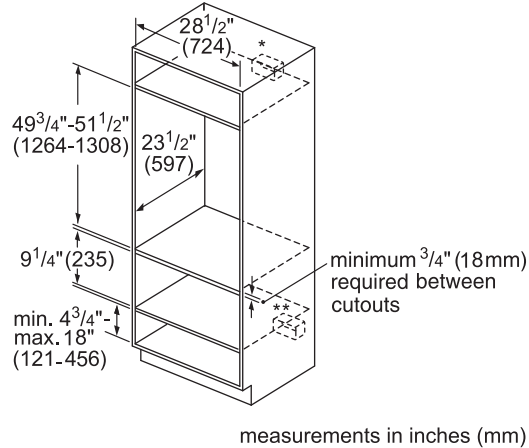
500 Series – Stainless Steel HBL5551UC



BOSCH
Invented for life

Installation Details

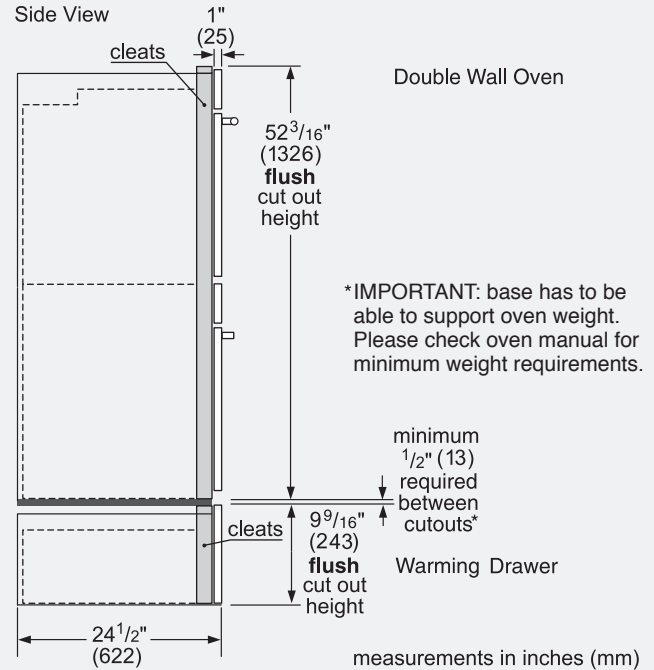
Standard Installation
30" Double Oven over Storage or Warming Drawer



* Wall oven junction box may be located above or right or left of the unit within reach of the power conduit.

** Electrical hook up may be located below (depending on space) or next to the drawer within the reach of the power cord.

Flush Installation
Double Oven over Storage or Warming Drawer



* IMPORTANT: base has to be able to support oven weight. Please check oven manual for minimum weight requirements.

Accessories: To purchase Bosch accessories, cleaners & parts please visit www.bosch-home.com/us/store or call 1-800-944-2904 (Mon to Fri 5 am to 6 pm PST, Sat 6 am to 3 pm PST).

Notes: All height, width and depth dimensions are shown in inches. BSH reserves the absolute and unrestricted right to change product materials and specifications, at any time, without notice. Consult the product's installation instructions for final dimensional data and other details prior to making cutout.

Warranties: Please see Use & Care manual or Bosch website for statement of limited warranty.

For more information on our entire line of products, go to www.bosch-home.com/us or call 1-800-944-2904

© BSH Home Appliances Corporation. All rights reserved. Bosch is a registered trademark of Robert Bosch GmbH.