

# 24" Single Wall Oven

500 Series – Stainless Steel HBE5453UC



**BOSCH**

Invented for life



**HBE5453UC**  
Stainless Steel

**The 24" Bosch Wall Oven features Genuine European Convection and is Designed for Kitchens with a Smaller Footprint**

## Features & Benefits

Genuine European Convection for even baking results on multiple racks.

Beautifully designed knob controls that are easy to use.

The wall oven is designed to be installed flush with your cabinetry.

Telescopic extension rail accessory offers better access to the oven cavity.

The DualClean® system uses the cavity coating and heat to burn off most grease.

## General Properties

Cooking modes	Bake, Broil Plus, Convection Bake, Convection Broil, Convection Broil Plus, Multi-Rack Genuine European Convection, Pie, Warm, Defrost, Frozen Foods
Cleaning type	DualClean®
Telescopic rack	1
Illumination type	Halogen
Interior lights	2

## Oven Performance

Bake / broil element wattages	1,300 / 2,950 W
Convection element wattages	1,700 W

## Technical Details

Watts (W)	3,100 W
Circuit breaker (A)	20 A
Volts (V)	240 / 208 V
Frequency (Hz)	60 Hz
Power cord length (in)	47 1/4"
Plug type	Fixed Connection, No Plug
Energy source	Electric



## Dimensions & Weight

Overall appliance dimensions (HxWxD) (in)	23 5/16" x 23 1/2" x 22 1/2"
Required cutout size – Standard (HxWxD) (in)	22 15/16" – 23 1/16" x 21 15/16" x 22 1/16"
Required cutout size – Flush (HxWxD) (in)	23 9/16" x 23 3/4" x 22 15/16"
Oven cavity size (cu. ft.)	2.8
Overall oven interior dimensions (HxWxD) (in)	15 5/16" x 18 1/4" x 17 5/8"
Usable oven interior dimensions (HxWxD) (in)	14" x 17 1/2" x 16 5/16"
Net weight (lbs)	87 lbs

## Accessories—Included

Included	1 Standard Rack, 1 Telescopic Extension Rail, 1 Enamel Baking Pan
----------	-------------------------------------------------------------------

**Accessories:** To purchase Bosch accessories, cleaners & parts please visit [www.bosch-home.com/us/store](http://www.bosch-home.com/us/store) or call 1-800-944-2904 (Mon to Fri 5 am to 6 pm PST, Sat 6 am to 3 pm PST).

**Notes:** All height, width and depth dimensions are shown in inches. BSH reserves the absolute and unrestricted right to change product materials and specifications, at any time, without notice. Consult the product's installation instructions for final dimensional data and other details prior to making cutout.

**Warranties:** Please see Use & Care manual or Bosch website for statement of limited warranty.

**For more information on our entire line of products, go to [www.bosch-home.com/us](http://www.bosch-home.com/us) or call 1-800-944-2904**

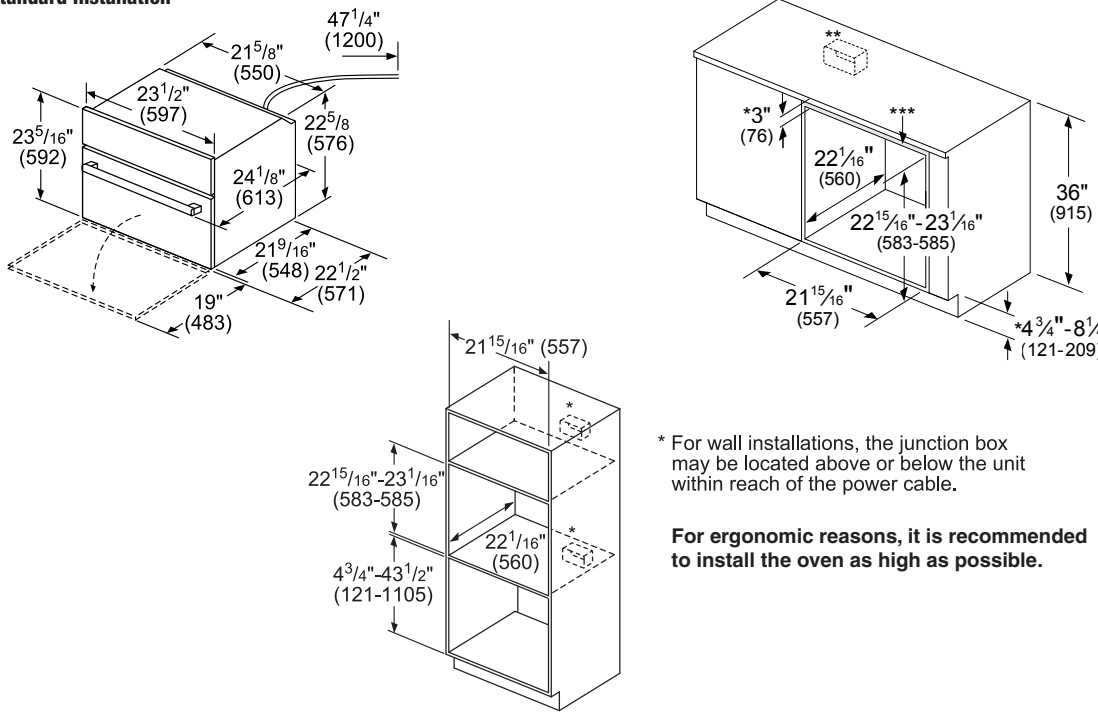
© BSH Home Appliances Corporation. All rights reserved. Bosch is a registered trademark of Robert Bosch GmbH.

# 24" Single Wall Oven

500 Series – Stainless Steel HBE5453UC

## Installation Details

**Standard Installation**



$47\frac{1}{4}"$  (1200)  
 $21\frac{5}{8}"$  (550)  
 $23\frac{1}{2}"$  (597)  
 $22\frac{5}{8}"$  (576)  
 $24\frac{1}{8}"$  (613)  
 $23\frac{9}{16}"$  (592)  
 $21\frac{9}{16}"$  (548)  
 $22\frac{1}{2}"$  (571)  
 $19"$  (483)

$36"$  (915)  
 $22\frac{1}{16}"$  (560)  
 $22\frac{15}{16}" - 23\frac{1}{16}"$  (583-585)  
 $21\frac{15}{16}"$  (557)  
 $4\frac{3}{4}" - 8\frac{1}{4}"$  (121-209)

$21\frac{15}{16}"$  (557)  
 $22\frac{15}{16}" - 23\frac{1}{16}"$  (583-585)  
 $4\frac{3}{4}" - 43\frac{1}{2}"$  (121-1105)

\* Includes  $\frac{3}{4}"$  (19 mm) base plate.  
 \*\* For single ovens installed under a counter top, the junction box may be located to the left, or the right of the unit, within reach of the power conduit.  
 \*\*\* This part of furniture must be present, straight and have no gap with the lateral parts. The minimum height is  $\frac{3}{8}"$  (9 mm).

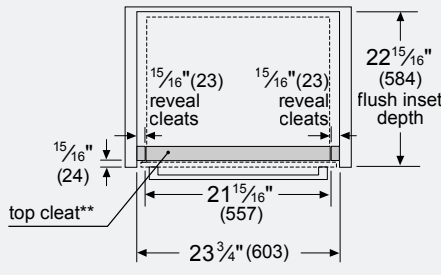
\* For wall installations, the junction box may be located above or below the unit within reach of the power cable.

**For ergonomic reasons, it is recommended to install the oven as high as possible.**

measurements in inches (mm)

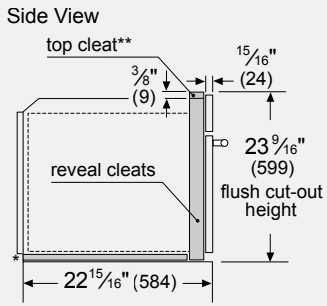
**Flush Installation**

**Top View**




$15\frac{1}{16}"$  (23) reveal cleats  
 $15\frac{1}{16}"$  (23) reveal cleats  
 $22\frac{15}{16}"$  (584) flush inset depth  
 $15\frac{1}{16}"$  (24) top cleat\*\*  
 $21\frac{15}{16}"$  (557)  
 $23\frac{3}{4}"$  (603)

**Side View**



top cleat\*\*  
 $\frac{3}{8}"$  (9) reveal cleats  
 $15\frac{1}{16}"$  (24)  
 $23\frac{9}{16}"$  (599) flush cut-out height  
 $22\frac{15}{16}"$  (584)

**Example Flush Install**



\* Flush installation requires a  $\frac{3}{16}"$  (5mm) high x  $21\frac{15}{16}"$  (557mm) wide x  $22\frac{1}{16}"$  (560mm) deep baseplate underneath the unit body.  
 \*\* Flush installation under the counter requires a top cleats  $\frac{3}{8}"$  (9 mm) high x  $21\frac{15}{16}"$  (557 mm) wide. This part of furniture must be present, straight and have no gap with the lateral parts.

measurements in inches (mm)

**Accessories:** To purchase Bosch accessories, cleaners & parts please visit [www.bosch-home.com/us/store](http://www.bosch-home.com/us/store) or call 1-800-944-2904 (Mon to Fri 5 am to 6 pm PST, Sat 6 am to 3 pm PST).

**Notes:** All height, width and depth dimensions are shown in inches. BSH reserves the absolute and unrestricted right to change product materials and specifications, at any time, without notice. Consult the product's installation instructions for final dimensional data and other details prior to making cutout.

**Warranties:** Please see Use & Care manual or Bosch website for statement of limited warranty.

**For more information on our entire line of products, go to [www.bosch-home.com/us](http://www.bosch-home.com/us) or call 1-800-944-2904**

© BSH Home Appliances Corporation. All rights reserved. Bosch is a registered trademark of Robert Bosch GmbH.