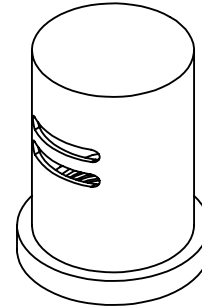




### 9600-K50

#### Features

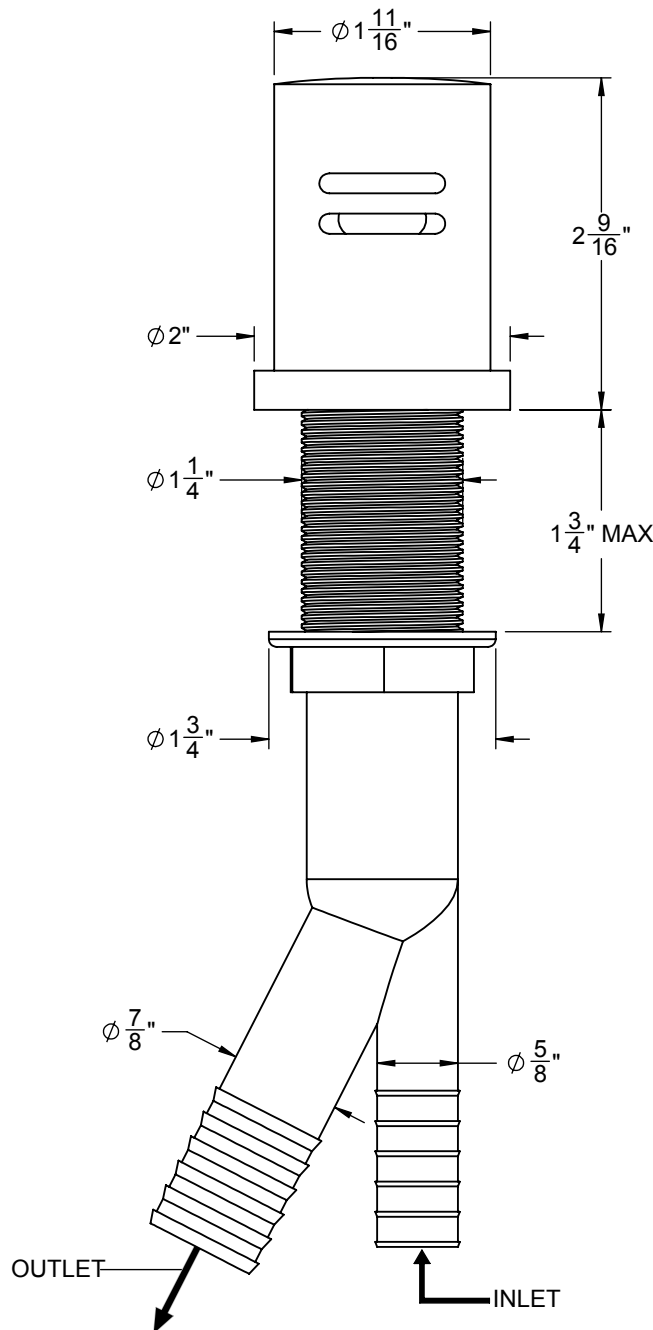
- Solid brass construction trim
- Includes air gap rough
- Over 30 finishes including 15 PVD finishes



#### Codes/Standards Applicable

Meets or exceeds the following at date of manufacture:

- IAPMO PS 023 2006a



#### THROUGH-HOLE SPECIFICATIONS

MIN	RECOMENDED	MAX
$\phi 1 - 1/4$ "	$\phi 1 - 3/8$ "	$\phi 1 - 9/16$ "

ALL DIMENSIONS SHOWN TO NEAREST 1/16"