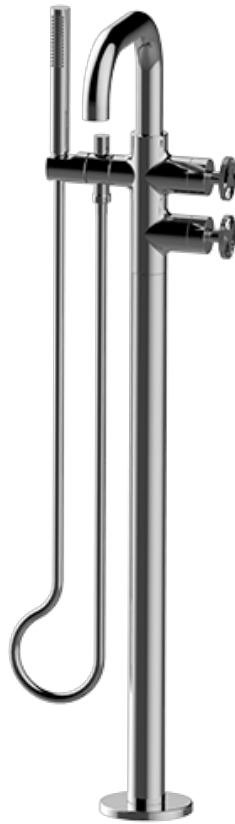


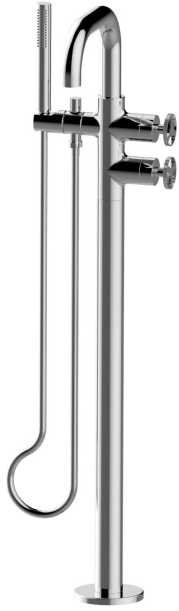
BATHROOM
Harley Floor-Mounted Tub Filler
G-11454-C19B

GRAFF[®]



Information

- Floor-mount installation
- Aerated spout flow rate ~7 gpm @ 45 psi
- Handshower flow rate ≤ 1.5 max gpm
- 8-7/8" spout reach
- 38-1/16"-41-1/4" approximate height
- Includes handshower with 59" spiral flexible hose (PVD finishes use 59" flex hose)
- Optional in-line pressure balancing valve



Product Features

- Floor-mount installation
- Aerated spout flow rate
~7 gpm @ 45 psi
- Handshower flow rate ≤1.5 max gpm
- 8-7/8" spout reach
- 38-1/16"-41-1/4" approximate height
- Includes handshower with 59" spiral flexible hose (PVD finishes use 59" flex hose)
- Optional in-line pressure balancing valve

Warranty

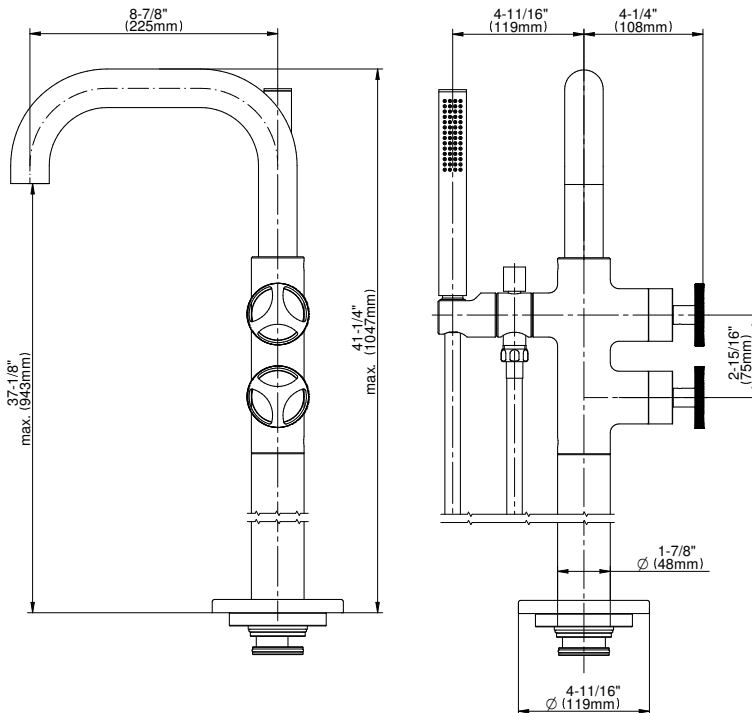
- Limited lifetime warranty

For complete warranty information go to <https://www.graff-faucets.com/en/info/faqs>

Available Finishes

- Polished Chrome
G-11454-C19B-PC
- Brushed Nickel
G-11454-C19B-BNi
- Polished Nickel
G-11454-C19B-PN
- Matte Black*
G-11454-C19B-MBK*
- Architectural Black*
G-11454-C19B-BK*
- Architectural White*
G-11454-C19B-WT*
- Olive Bronze*
G-11454-C19B-OB*
- Gunmetal*
G-11454-C19B-GM*
- Onyx PVD*
G-11454-C19B-OX*
- Polished Brass PVD*
G-11454-C19B-PB*
- Brushed Brass PVD*
G-11454-C19B-BB*
- 24K Gold*
G-11454-C19B-AU*
- 24K Brushed Gold*
G-11454-C19B-BAU*
- 24K Brushed Gold
w/Onyx PVD Accents*
G-11454-C19B-BAU/OX*
- Polished Chrome
w/Onyx PVD Accents*
G-11400-C19-PC/OX*
- Polished Nickel
w/Onyx PVD Accents*
G-11454-C19B-PN/OX*

* Special order finish- call for availability





Finishes



24K Gold



24K Brushed Gold



24K Brushed Gold with Onyx PVD Accents



Brushed Brass PVD



Architectural Black™



Brushed Nickel



Brushed Onyx PVD®



Gunmetal



Matte Black



Olive Bronze



Onyx PVD®



Polished Brass PVD



Polished Chrome



Polished Chrome with Onyx PVD Accents



Polished Nickel



Polished Nickel with Onyx PVD Accents



Architectural White

G-1045

Spout Connection Rough



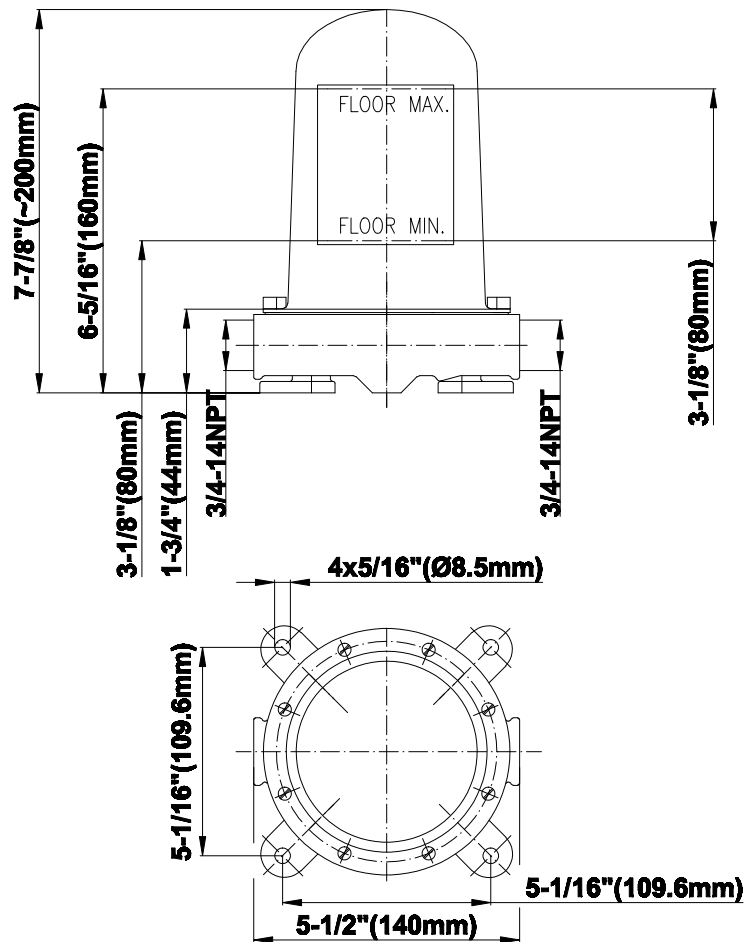
Product Features

- Mud guard displays minimum and maximum floor depth
- Rough can be installed in any orientation making it convenient to route pipes to the rough
- Trim can be rotated 360 degrees in any directions
- Averages 10 GPM with most trim

Warranty

- Limited lifetime warranty

For complete warranty information go to <http://www.graff-faucets.com/en/info/faqs>

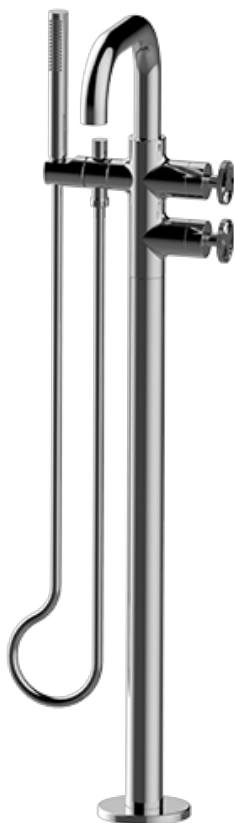


The measurements shown are for reference only. Products and specifications shown are subject to change without notice. Revised 07/2017.

www.graff-faucets.com | phone: 800-954-4723

BATHROOM
Harley Floor-Mounted Tub Filler
G-11454-C19B

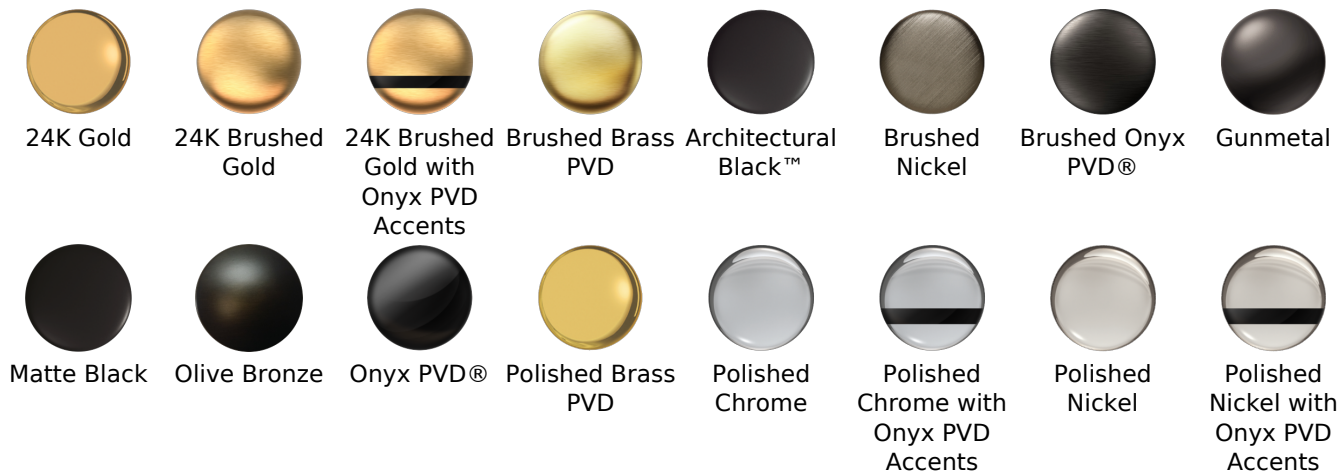
GRAFF®

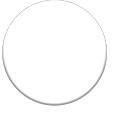


Information

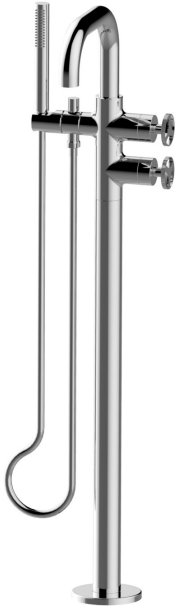
- Floor-mount installation
- Aerated spout flow rate ~7 gpm @ 45 psi
- Handshower flow rate ≤1.5 max gpm
- 8-7/8" spout reach
- 38-1/16"-41-1/4" approximate height
- Includes handshower with 59" spiral flexible hose (PVD finishes use 59" flex hose)
- Optional in-line pressure balancing valve

Finishes





Architectural
White



Product Features

- Floor-mount installation
- Aerated spout flow rate
~7 gpm @ 45 psi
- Handshower flow rate ≤1.5 max gpm
- 8-7/8" spout reach
- 38-1/16"-41-1/4" approximate height
- Includes handshower with 59" spiral flexible hose (PVD finishes use 59" flex hose)
- Optional in-line pressure balancing valve

Warranty

- Limited lifetime warranty

For complete warranty information go to
<https://www.graff-faucets.com/en/info/faqs>

Available Finishes

- Polished Chrome
G-11454-C19B-PC
- Brushed Nickel
G-11454-C19B-BNi
- Polished Nickel
G-11454-C19B-PN
- Matte Black*
G-11454-C19B-MBK*
- Architectural Black*
G-11454-C19B-BK*
- Architectural White*
G-11454-C19B-WT*
- Olive Bronze*
G-11454-C19B-OB*
- Gunmetal*
G-11454-C19B-GM*
- Onyx PVD*
G-11454-C19B-OX*
- Polished Brass PVD*
G-11454-C19B-PB*
- Brushed Brass PVD*
G-11454-C19B-BB*
- 24K Gold*
G-11454-C19B-AU*
- 24K Brushed Gold*
G-11454-C19B-BAU*
- 24K Brushed Gold
w/Onyx PVD Accents*
G-11454-C19B-BAU/OX*
- Polished Chrome
w/Onyx PVD Accents*
G-11400-C19-PC/OX*
- Polished Nickel
w/Onyx PVD Accents*
G-11454-C19B-PN/OX*

* Special order finish- call for availability

