

Features

- Brass construction with brass valve bodies.
- 3-hole installation for 8" to 16" centers.
- Quarter-turn washerless ceramic disc valves.
- Less drain and lift rod.
- Vandal resistant aerated flow
- Lever handles.
- 5-1/2" (140 mm) spout reach.
- 0.5 gal/min (1.9 l/min) maximum flow rate [max at 60 psi (4.14 bar)].



Codes/Standards

ASME A112.18.1/CSA B125.1
NSF/ANSI 61
NSF/ANSI 372
All applicable US Federal and State material regulations
DOE - Energy Policy Act 1992
California Energy Commission (CEC)


KOHLER® One-Year Limited Warranty

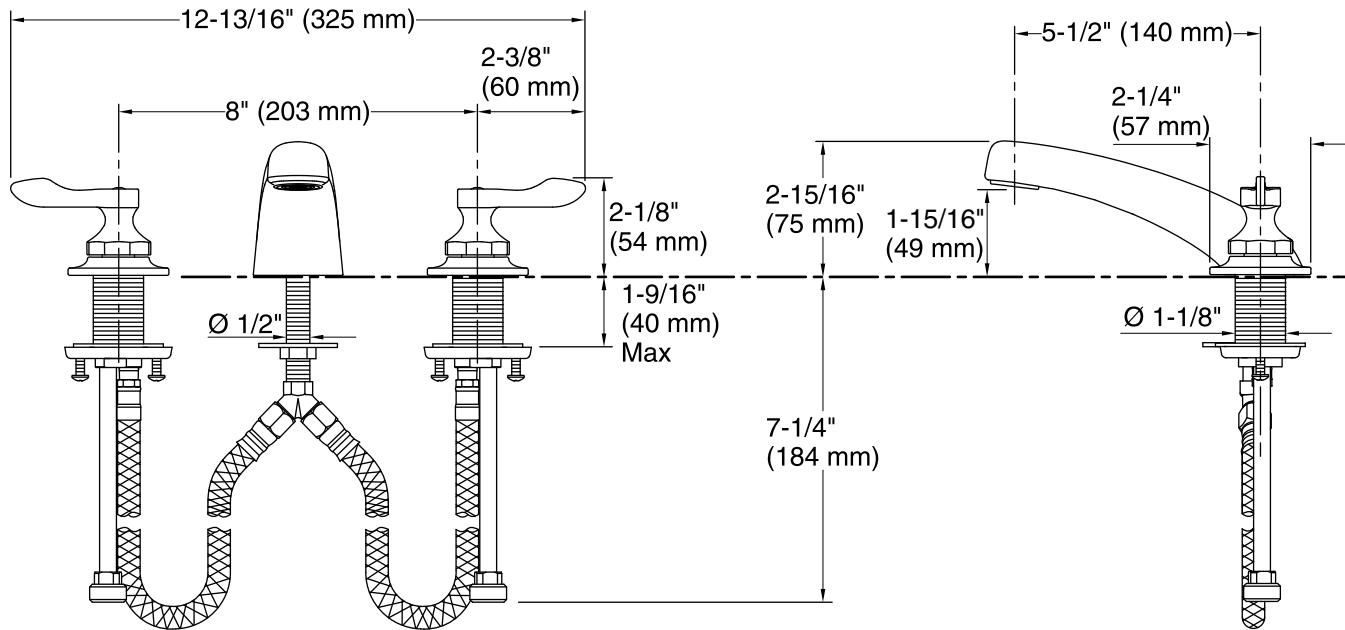
See website for detailed warranty information.

Available Color/Finishes

Color tiles intended for reference only.

| Color | Code | Description |
|-------|------|-------------|
|-------|------|-------------|

| | | |
|--|----|-----------------|
|  | CP | Polished Chrome |
|--|----|-----------------|



Technical Information

All product dimensions are nominal.

Faucet:

Flow rate: 0.5 gal/min (1.9 l/min)

Pressure: 60 psi (4.1 bar)

Spout:

Spout reach: 5-1/2" (140 mm)

Handle clearance: 2-3/8" (61 mm)

Notes

Install this product according to the installation guide.