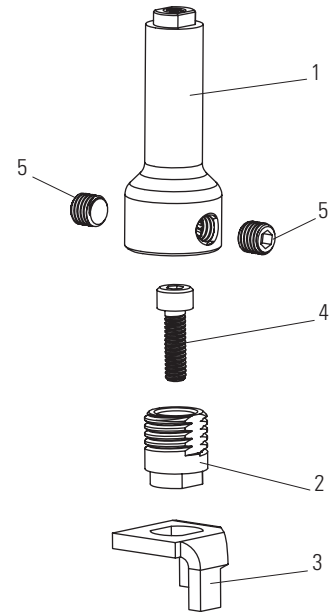


1955 1820/1830 Handle Extension

Valve Sizes ½" to 2"

DIMENSIONS - In.					
Nibco Code	Size Valves	L	Inner Cap Screw	Set Screw	Weight Lbs.
RGNM01A	½" to 1"		M4 x 14	M6 x 5	0.12
RGNM01D	1¼" to 1½"		M6 x 16	M6 x 5	0.18
RGNM01E	2"		M8 x 16	M6 x 5	0.26

MATERIAL LIST		
Item	PART	SPECIFICATION
1	Body	Brass
2	Connecting Adapter	Brass
3	Stop Plate	Steel - Zinc Plated
4	Inner Cap Screw	Stainless Steel - 304
5	Set Screw	Stainless Steel - 304



Project: _____

Contractor: _____

PO/Job No.: _____

Engineer: _____

Representative: _____

Date: _____