

H-7x70 Series

Magnetic Boiler Filter

12,000 Gauss Magnet, Diverter & G1 Union Connections

Integrated Hose Drain Valve, Air Vent & Filter

(Includes Service Tool)

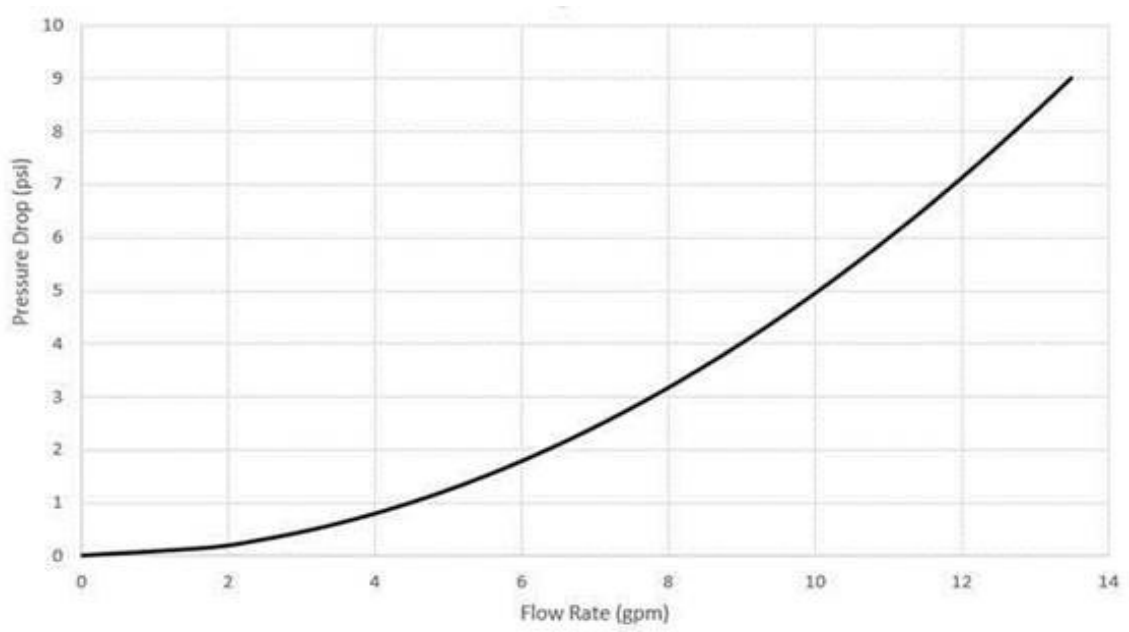
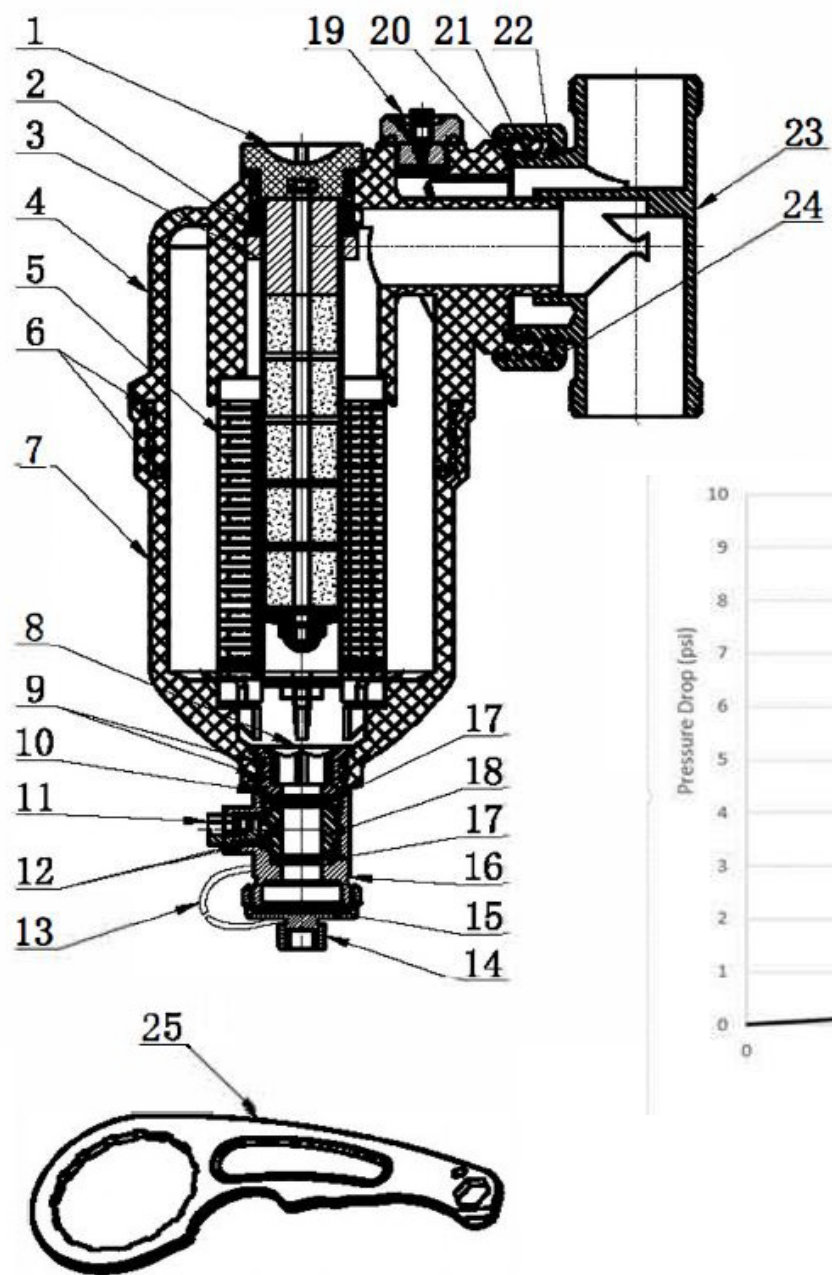
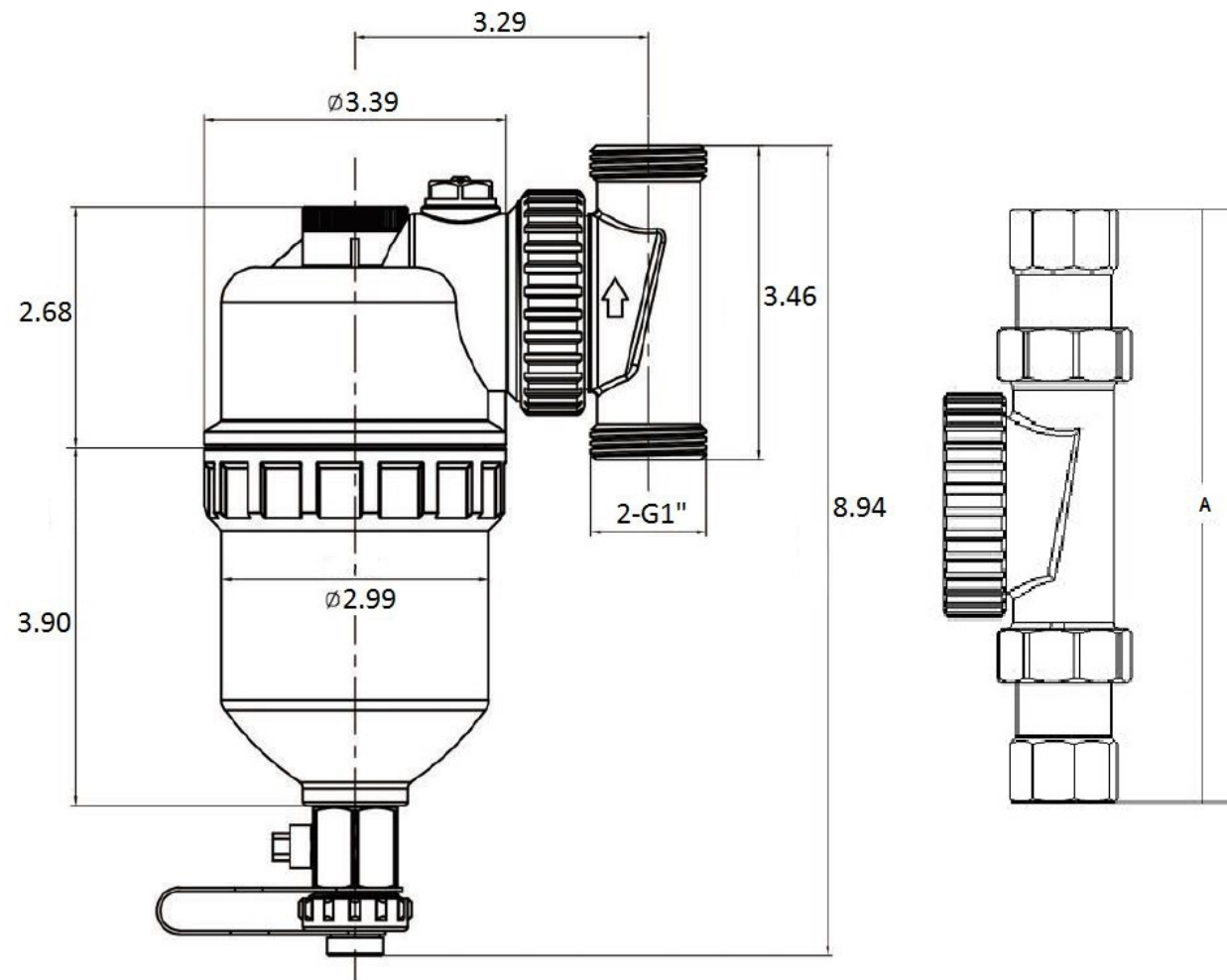


NO.	DESCRIPTION	MATERIAL
1	Magnet Stick	Magnet
2	O-ring	Rubber
3	Magnet Cover	Nickel Plated Brass
4	Upper Half of Body	Plastic
5	Plastic Screen Filter	Plastic
6	O-ring	Rubber
7	Lower Half of Body	Plastic
8	Injector	Brass
9	O-Ring	Rubber
10	Drainer	Brass
11	Drainer Stem	Brass
12	Drainer	Brass
13	Rubber Ring	Rubber
14	Cap	Brass
15	Gasket	Rubber
16	Drainer	Brass
17	Valve Ball Seat	Teflon
18	Valve Ball	Brass
19	Vent Valve	Brass
20	O-Ring	Rubber
21	O-Ring	Rubber
22	Diverter Clip Ring	Stainless Steel
23	Diverter	Brass
24	Diverter Nut	Brass
25	Spanner	Plastic

Designed for residential, commercial or industrial use with water or a glycol mixture.

ITEM#	Connection Type	SIZE (in)	Pressure Rating	Max Temp	A
H-72703	FIP	3/4	175 PSI CWP Max	250°F Max	6.80
H-72704	FIP	1	175 PSI CWP Max	250°F Max	6.92
H-74703	MIP	3/4	175 PSI CWP Max	250°F Max	7.12
H-74704	MIP	1	175 PSI CWP Max	250°F Max	7.20
H-75703	SWT	3/4	175 PSI CWP Max	250°F Max	7.08
H-75704	SWT	1	175 PSI CWP Max	250°F Max	7.42
H-78703	Press	3/4	175 PSI CWP Max	250°F Max	8.66
H-78704	Press	1	175 PSI CWP Max	250°F Max	8.66







H-7x70B Series

Magnetic Boiler Filter Body
 12,000 Gauss Magnet, Diverter
 Integrated Hose Drain Valve, Air Vent & Filter
 & Service Tool
 Requires (2) G-Union Fittings (Sold Separately)



ITEM#	Connection Type	SIZE (In)	Carton Qty	Case Qty	Pressure Rating	Max Temp
H-70700	G-Thread	1	1	4	175 PSI CWP Max	250°F Max