

Class 125 Bronze Angle Valves

Screw-in Bonnet • Integral Seat • Renewable Seat and Disc

125 PSI/8.6 Bar Saturated Steam to 353° F/178° C
200 PSI/13.8 Bar Non-Shock Cold Working Pressure

CONFORMS TO MSS SP-80

MATERIAL LIST

PART	SPECIFICATION
1. Handwheel Nut	300 Series Stainless Steel
2. Identification Plate	Aluminum
3. Handwheel	a. Malleable Iron ASTM A 47 (T-311-Y) b. Bronze Cross Handwheel (T-311-YK)
4. Stem	Silicon Bronze ASTM B 371 Alloy C69400
5. Packing Gland	Bronze ASTM B 62 or ASTM B 584 Alloy C84400 or Brass ASTM B 16
6. Packing Nut	Bronze ASTM B 62 or ASTM B 584 Alloy C84400 or Brass ASTM B 16
7. Packing	Aramid Fibres with Graphite
8. Bonnet	Bronze ASTM B 62
*9. Disc Holder Nut	Bronze ASTM B 62 or B 140 Alloy C31400
10. Disc Holder	Bronze ASTM B 62
11. Seat Disc	Steam (PTFE) (Y)
12. Seat Disc Nut	Bronze ASTM B 62
13. Body	Bronze ASTM B 62

*2½" and 3" are ASTM B 61

DIMENSIONS—WEIGHTS—QUANTITIES

Size	Dimensions				T-311		Master Ctn. Qty.	
	B		H & J		Lbs.	Kg.		
In.	mm.	In.	mm.	In.	mm.			
*¼	8	3.50	89	1.19	30	0.98	0.44	50
*⅜	10	3.50	89	1.19	30	0.93	0.42	50
*½	15	3.50	89	1.31	33	1.01	0.46	30
¾	20	4.94	126	1.56	40	1.70	0.77	20
1	25	5.75	146	1.88	48	2.82	1.28	10
1¼	32	6.13	156	2.19	51	3.76	1.70	10
1½	40	7.25	179	2.38	60	5.79	2.63	6
2	50	8.13	206	2.81	72	8.76	3.97	4
2½	65	10.56	268	3.19	81	16.13	7.32	2
3	80	11.19	284	3.88	99	21.72	9.85	2

*Stem and Disc or Disc Holder are integral. No packing gland, packing only in these sizes.

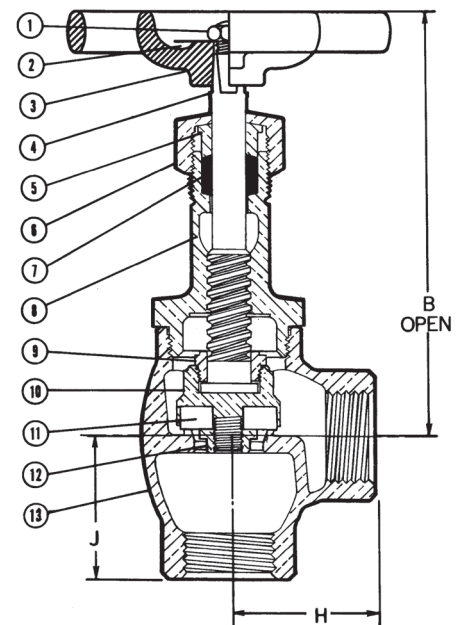
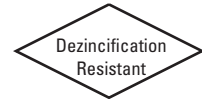
⚠ WARNING: This product can expose you to chemicals including lead, which is known to the State of California to cause cancer and birth defects or other reproductive harm. For more information go to www.P65Warnings.ca.gov.



T-311-Y
Threaded



T-311-YK
Threaded
With Cross Handle



T-311-Y
NPT x NPT

Freezing Weather Precaution – Subsequent to testing a piping system, valves should be in an open position to allow complete drainage.