

# ALVESTON

## Toilet Tissue Holder **890-1500**

### Features

- Solid brass construction
- Double-post design with spring-loaded, non-separating roller
- Complements Alveston product series

### Codes / Standards Compliance

Meets or exceeds the following at date of manufacture:

- All applicable US Federal and State material regulations



### Colors / Finishes

- 10B: Oil Rubbed Bronze
  - 15: Polished Nickel
  - 15S: Satin Nickel - PVD
  - 26: Polished Chrome
- Other: Refer to the Newport Brass catalog for additional color/finish options.

### Specified Model

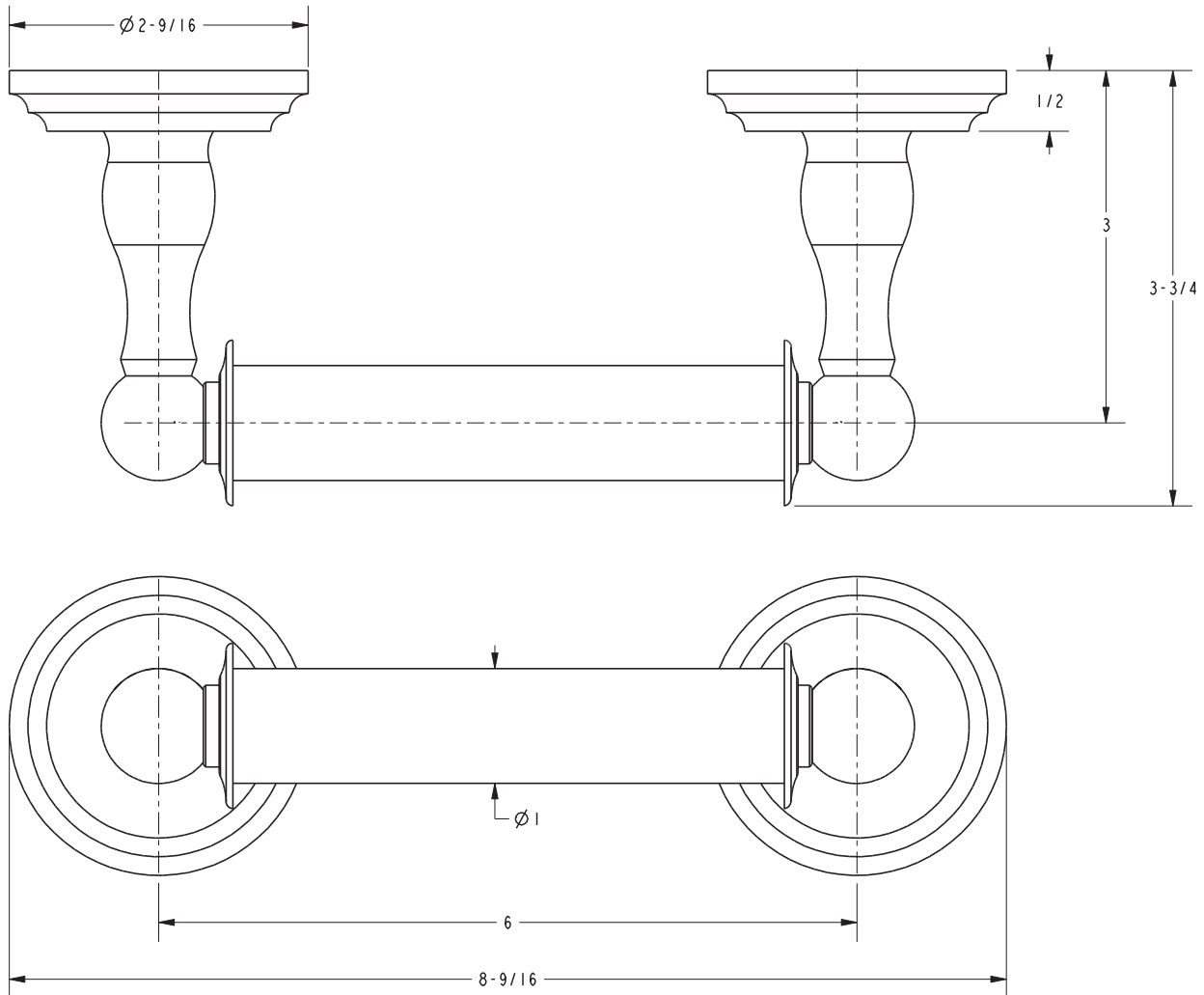
| Model    | Description          | Colors   Finishes            |                             |                              |                             |                                |
|----------|----------------------|------------------------------|-----------------------------|------------------------------|-----------------------------|--------------------------------|
| 890-1500 | Toilet Tissue Holder | <input type="checkbox"/> 10B | <input type="checkbox"/> 15 | <input type="checkbox"/> 15S | <input type="checkbox"/> 26 | <input type="checkbox"/> Other |

### Product Specification **Add "Color / Finish" suffix to Model number, below.**

The Toilet Tissue Holder shall be made of solid brass construction and incorporate a double-post design utilizing a non-separating, spring-loaded roller. Toilet Tissue Holder shall complement Newport Brass Alveston product series. Toilet Tissue Holder shall be Newport Brass Model 890-1500/\_\_\_\_\_.

# 890-1500

## PRODUCT DIMENSIONS *(Units are in inches)*



### Alveston Toilet Tissue Holder 890-1500