

For Commercial Applications

Job Name _____

Contractor _____

Job Location _____

Approval _____

Engineer _____

Contractor's P.O. No. _____

Approval _____

Representative _____

Series PWR2511

Commercial Reverse Osmosis Systems

Flow Rates: Up to 1,200 gpd (4,542 lpd)

Watts Pure Water Series PWR2511 reverse osmosis (RO) systems are commercial grade high-pressure RO units for the reduction of total dissolved solids from water. They are designed to supply reverse osmosis quality water with production rates ranging from 150 to 1,200 gallons per day. The standard units are designed for wall mounting. Where floor mounting is preferred, the optional floor mounting kit Model No. PWR2864 can be specified. Reverse osmosis is a process where high-pressure feed water is fed into a semi-permeable membrane. In the membrane, pure water is allowed to pass through the membrane material and exit as purified permeate water. Dissolved mineral salts are not allowed to pass through the membrane and become a concentrated reject stream that is sent to a drain. These RO systems use high-rejection membranes to achieve a minimum average NaCl ionic rejection of 95 percent.

Watts Pure Water Series PWR2511 RO systems are a well designed, rugged line of purifiers. This series comes with a pre-selected assortment of features for monitoring and operation. Fiberglass reinforced plastic membrane housings, inlet and outlet prefilter pressure gauges, pretreatment interlock and tank level inputs, low-pressure switch with delayed auto restart, permeate pressure switch, adjustable reject recycle, permeate and reject water flow meters, permeate water check valve, inlet solenoid valve, membrane feed water pressure gauge, adjustable reject valve, and membrane auto flush are all standard features. The standard systems are designed to feed an atmospheric storage tank or a pressurized bladder tank. Reverse osmosis water has a wide variety of applications including municipal water treatment, steam boiler and steam sterilizer make up, laboratory use, spot free rinsing, ice and beverage water, water for cooking, food processing, metal plating and finishing, as well as water for humidification. Reverse osmosis is also the pretreatment of choice for ion exchange type deionization (DI) systems. Using RO water as make up to a DI system reduces the exhaustion rate of the DI resin by up to 95 percent saving time, money, and chemicals associated with DI resin regeneration.

⚠ WARNING

Do not use with water that is microbiologically unsafe or of unknown quality without adequate disinfection before or after the system.

PURE WATER



Series PWR2511

Features

- 304 stainless steel wall mounted support frame
- Fiberglass reinforced plastic 300 psi high-pressure membrane housings
- Pressure gauges for pre-filter inlet/outlet and membrane feed pressure
- Low feed water pressure safety switch
- Microprocessor based controller with delayed auto restart after low pressure shut down
- Tank level and pretreatment interlock inputs
- High-pressure/high-rejection membranes with 95% minimum average salt rejection
- Permeate and reject water flow meters
- Adjustable reject and reject recycle valves
- Permeate pressure switch and check valve
- Automatic inlet solenoid valve
- Membrane Auto Flush

Standards

- Pre-filter Housing NSF/ANSI Certified 42
- Pre-filter Cartridge NSF/ANSI Certified 42

Specifications

Watts Pure Water Series PWR2511 reverse osmosis system shall be installed to provide reverse osmosis quality water. The RO system shall be installed after a Series PWS water softener so that scale forming calcium and magnesium hardness cannot scale the RO membrane(s). Series PWC backwashing carbon filter shall be installed on the RO feed water line to remove chlorine and prevent membrane degradation due to chlorine attack. Series PWM backwashing sediment filter shall also be installed on the RO feed water line to reduce the silt density index of the water to prevent particulate fouling of the RO membrane(s).

The RO system shall be a high-pressure/high-rejection type unit complete with permeate and reject water flow meters, pre-filter inlet/outlet and membrane feed water pressure gauges, fiberglass reinforced plastic membrane housings, automatic inlet solenoid valve, low feed water pressure switch, permeate water pressure switch, reject and recycle valves, auto flush feature, micro electronic controller with pretreatment interlock and tank level inputs, high-pressure pump, and all other components necessary for proper operation. The system shall be a wall mount design with an optional leg kit for floor mount installations. The RO permeate water shall be collected in an atmospheric storage tank or a pressurized bladder tank. A permeate water pressure switch is provided on the RO system for automatic on/off operation when using a pressurized bladder tank. Electrical requirements are 120 volt 60 hertz. A local drain is required to accept drain water from the system. The feed water pressure must not fall below 20psi. The feed water temperature must not fall below 35°F or exceed 100°F (2 - 38°C).

The system shall produce reverse osmosis quality water with 95 percent minimum average ionic rejection of total dissolved solids when operated within the manufacturer's operational specifications.

Feed Water Guidelines

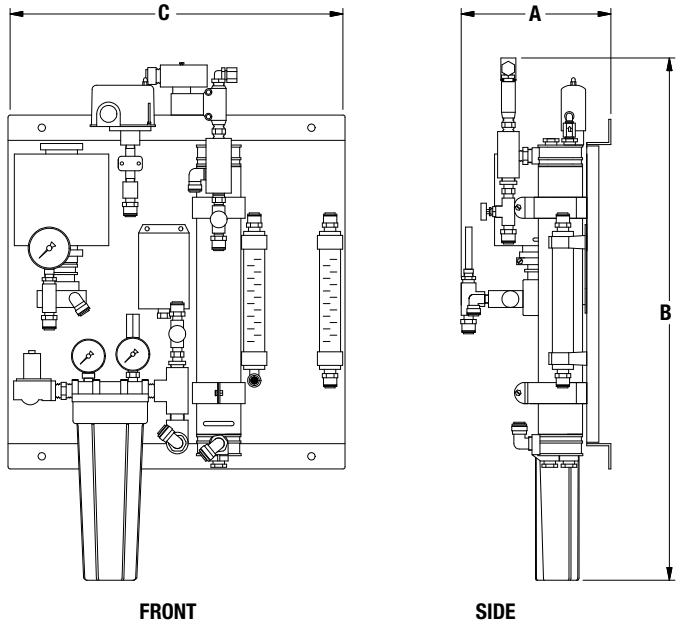
- pH 6 to 9
- Hardness (maximum) Less than 1 grain per gallon as CaCO₃ (Softened) or anti scale chemical injection if not softened (contact your Watts representative)
- Feed Water Pressure (minimum) . . .20psi
- Temperature35 - 100°F (2 - 38°C)
- Free Chlorine (maximum)None Allowed
- Iron (maximum).Less than .1mg/L
- Oil and H₂SNone Allowed
- TurbidityLess than 1.0 NTU
- Silt Density IndexLess than 5.0 SDI

NOTICE

For all other guideline information please contact your Watts representative.

Feed water must be pretreated for - Scale prevention (Softened), dechlorinated (Carbon Filter), and free of sediment.

Dimensions - Weights



MODEL NO.	DIMENSIONS						WEIGHTS	
	A		B		C		lbs.	kgs.
	in.	mm	in.	mm	in.	mm		
PWR25111011	9	229	32	813	22	534	50	23
PWR25112011	9	229	32	813	22	534	50	23
PWR25113011	9	229	47	1194	22	534	60	27
PWR25113021	9	229	47	1194	22	534	70	32

Performance

Maximum Productivity (gallons per day)	150	250	600	1200
Quality (average membrane rejection)	98 %	98 %	98 %	98 %
Recovery (user adjustable)	15 - 75 %	15 - 75%	15 - 75 %	25 - 75 %
Membrane Size	2.5" x 14"	2.5" x 21"	2.5" x 40"	2.5" x 40"
Number Of Membranes	1	1	1	2
Prefilter (system ships with one 5 micron cartridge)	10"			
Feed Water Connection	½" NPT			
Product Water Connection (tubing OD)	¾"			
Reject Water Connection (tubing OD)	¾"			
Feed Water Required (maximum)	2.4 gpm			
Feed Water Pressure (minimum)	20psi			
Drain Required (maximum)	2.4 gpm			
Electrical Requirement	120 VAC 60 Hz 8 amps			
Motor Horse Power	½			
Dimensions W x H x D (approximate)	22" x 32" x 12"		22" x 52" x 12"	
Shipping Weight (estimated pounds)	50	50	60	70

Ordering Information

MODEL NO.	DESCRIPTION
PWR25111011	150 Gallon Per Day Reverse Osmosis System With Auto Flush
PWR25112011	250 Gallon Per Day Reverse Osmosis System With Auto Flush
PWR25113011	600 Gallon Per Day Reverse Osmosis System With Auto Flush
PWR25113021	1200 Gallon Per Day Reverse Osmosis System With Auto Flush
PWR2864	Optional Stainless Steel Leg Kit For All Models

Notes:

- Maximum production based on a feed water of 77°F, SDI < 3, 1000 ppm TDS, and pH 8.
- Individual membrane productivity may vary (± 15%). May be operated on other feed waters with reduced capacity.
- Percent Rejection is based on membrane manufacturer's specifications; overall system percent rejection may be less.

NOTICE

The information contained herein is not intended to replace the full product installation and safety information available or the experience of a trained product installer. You are required to thoroughly read all installation instructions and product safety information before beginning the installation of this product.



A Watts Water Technologies Company

USA: Tel: (800) 224-1299 • Fax: (978) 794-1848 • Watts.com/PureWater

Canada: Tel: (905) 332-4090 • Fax: (905) 332-7068 • Watts.ca/PureWater

Latin America: Tel: (52) 81-1001-8600 • Fax: (52) 81-8000-7091 • Watts.com/PureWater